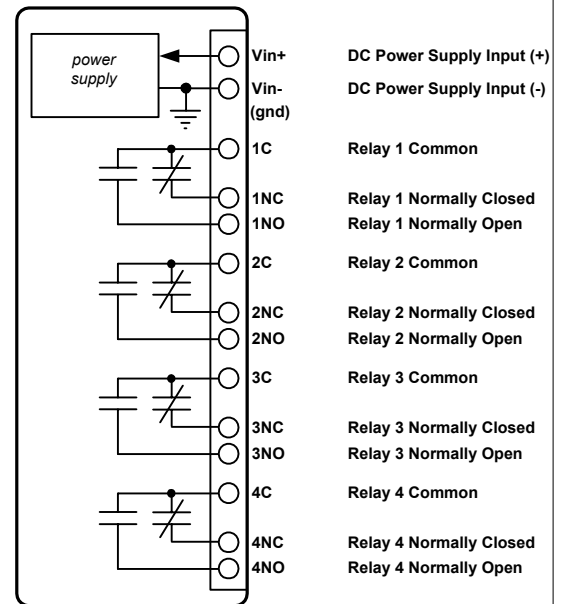
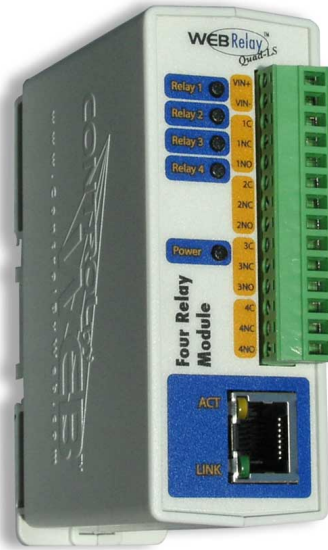


WEBRelay™ Quad-LS

Quick Start Guide

Basic Setup Steps:

- (1) Connect unit to power and network only.
- (2) Set up a computer on the same network to configure WebRelay-Quad™. To do this, set the IP address of the computer to 192.168.1.50 with a netmask of 255.255.255.0.
- (3) Configure WebRelay-Quad™ using web browser. Do this by pointing browser to <http://192.168.1.2/setup.html>. Password is webrelay (all lower case).
- (4) Set the permanent IP address in the configuration page. Restart WebRelay-Quad™ (remove power, re-apply power). After restarting the unit, set your computer back to it's original settings and access WebRelay™ at its new IP address.
- (5) Connect relay contacts.



Note: WebRelay-Quad™ can be configured to operate at 10Mbps or 100Mbps. For best power savings and long term performance the 10Mbps setting is recommended.

Factory Default Settings

IP Address: 192.168.1.2
 Subnet Mask: 255.255.255.0
 Control Web Address: <http://192.168.1.2>
 Setup Web Address: <http://192.168.1.2/setup.html>
 Username: *no username required*
 Control Password: *no password set*
 Setup Password: webrelay (all lower case)

Full Users Manual may be downloaded from
<http://www.ControlByWeb.com>

For technical support, email questions to
support@ControlByWeb.com

CONTROL by
WEB
www.ControlByWeb.com

a division of...
 Xytronix Research & Design, Inc.
 North Logan, Utah, USA