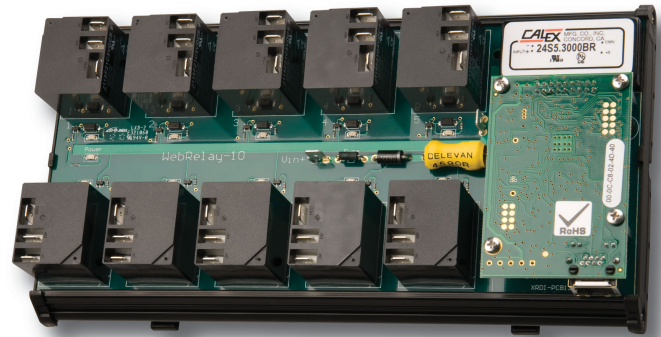


# WEBRelay<sup>TM</sup> 10

## Quick Start Guide

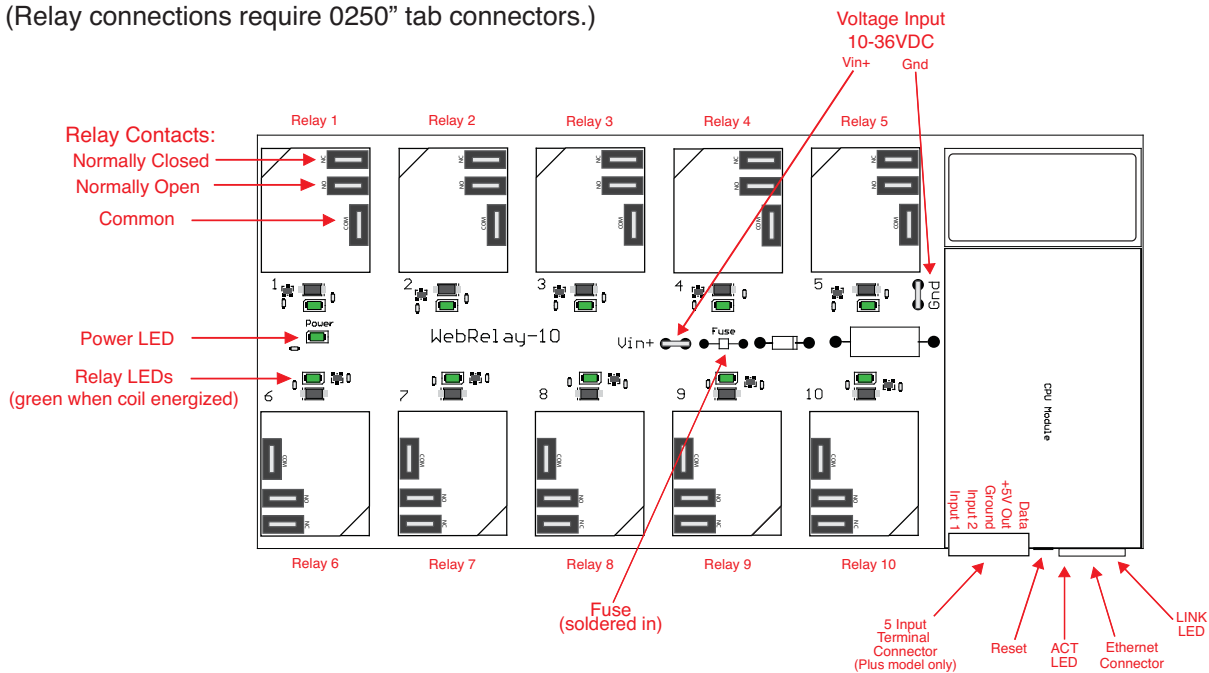


### Basic Setup Steps:

- (1) Connect unit to power and network only.  
(Power connections require 0.250" tab connectors.)
- (2) Set up a computer on the same network to configure WebRelay-10<sup>TM</sup>. To do this, set the IP address of the computer to 192.168.1.50 with a netmask of 255.255.255.0.
- (3) Configure WebRelay-10<sup>TM</sup> using a web browser.  
Do this by pointing the browser to <http://192.168.1.2/setup.html>.  
Username is admin (all lower case).  
Password is webrelay (all lower case).
- (4) Set the permanent IP address in the configuration page. Restart WebRelay-10<sup>TM</sup> (remove power, re-apply power).  
After restarting the unit, set your computer back to its original settings and access WebRelay-10<sup>TM</sup> at its new IP address.
- (5) Connect relay contacts.  
(Relay connections require 0250" tab connectors.)

### Factory Default Settings

Default IP Address: 192.168.1.2  
 Subnet Mask: 255.255.255.0  
 Setup Page Access: <http://192.168.1.2/setup.html>  
 Username: admin  
 Control Page Password: *no password set*  
 Setup Pages Password: webrelay (all lower case)



Full Users Manual may be downloaded from  
<http://www.ControlByWeb.com>

For technical support, email questions to  
[support@ControlByWeb.com](mailto:support@ControlByWeb.com)



[www.ControlByWeb.com](http://www.ControlByWeb.com)  
 a division of...  
 Xytronix Research & Design, Inc.  
 North Logan, Utah, USA